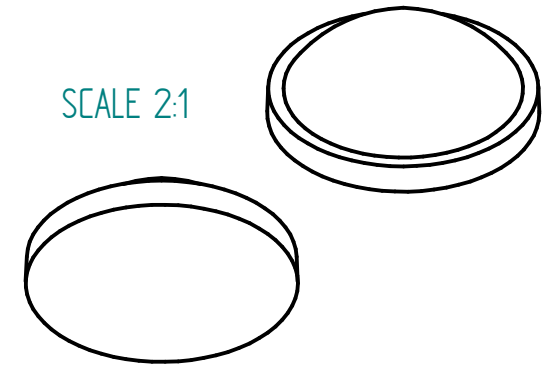
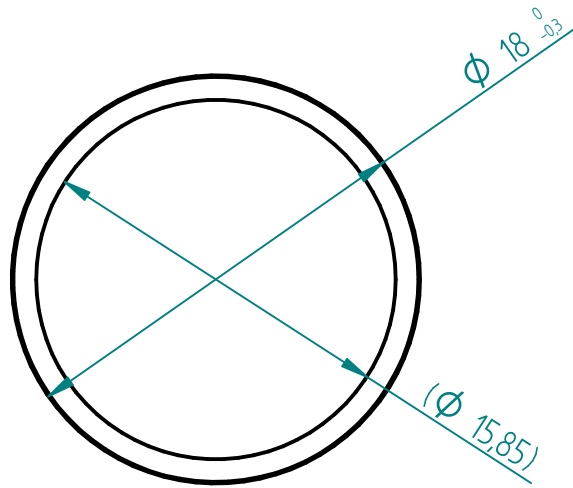
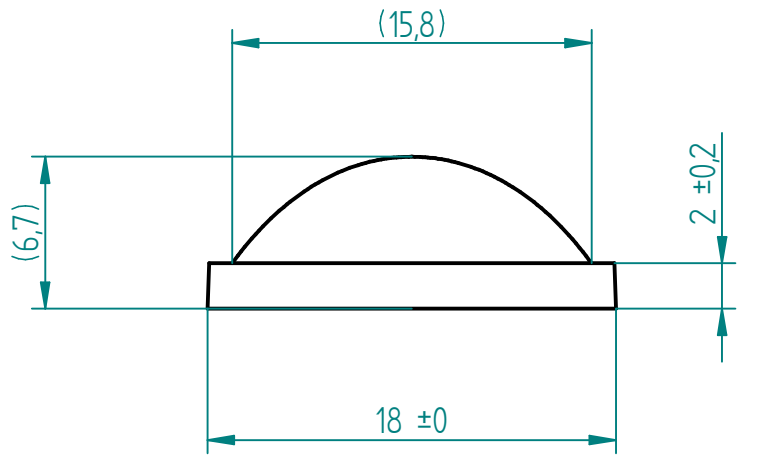
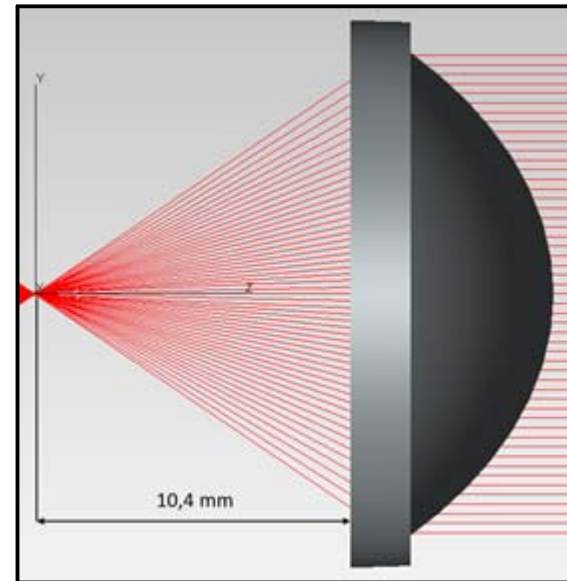


WITH FINE SPREADING STRUCTURE ON ASPHERE - ONLY FOR NON-IMAGING APPLICATIONS

REVISION HISTORY			
REV	DESCRIPTION	DATE	APPROVED



SCALE 2:1



Material: glass with $n_d = 1,521$

	NAME	DATE	 EcoGlass, a.s.
DRAWN	krutsky	05/14/20	
CHECKED			
ENG APPR			
MGR APPR			TITLE
			A034 1808
UNLESS OTHERWISE SPECIFIED DIMENSIONS ARE IN MILLIMETERS			SIZE A4
			DWG NO.
			REV.
			FILE NAME: A034_smallLdft
SCALE:		WEIGHT: 3 g	SHEET 1 OF 1