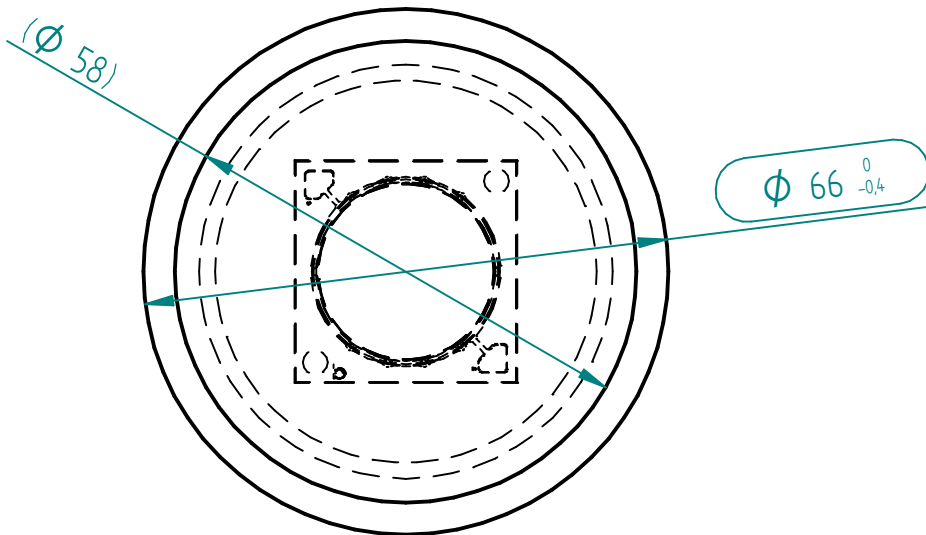
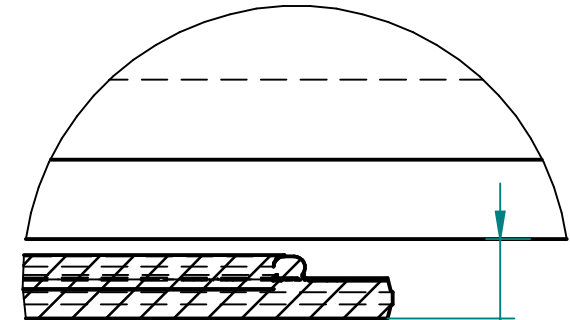
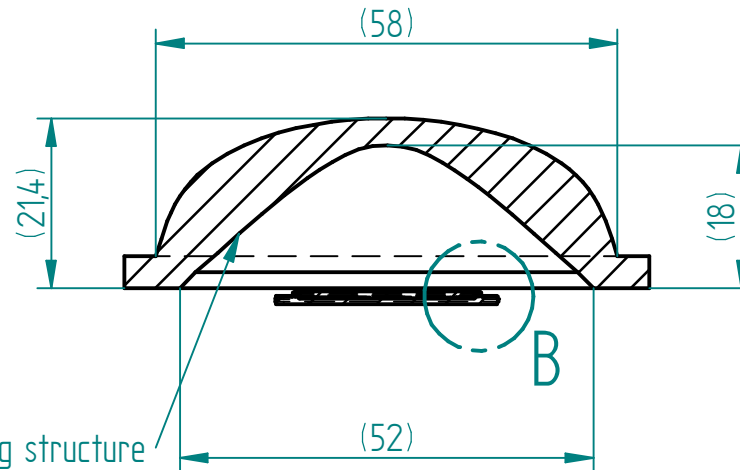
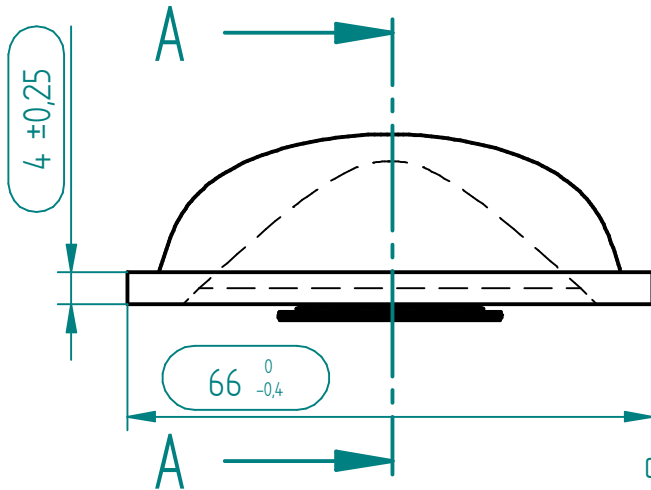


REVISION HISTORY


REV	DESCRIPTION	DATE	APPROVED

CUT A-A

DETAIL B



material: GLASS nd=1.521
 mass: 75g
 LED diameter: 16-30mm

	NAME	DATE	 EcoGlass, a.s.	
DRAWN	jkocarek	08/16/22		
CHECKED			TITLE lens for large LED - 120° lighting angle	
ENG APPR				
MGR APPR			SIZE A4 DWG NO A893 6624 REV EG01	
UNLESS OTHERWISE SPECIFIED DIMENSIONS ARE IN MILLIMETERS ANGLES ±X.X° 2 PL ±X.XX 3 PL ±X.XXX				
			SCALE:	WEIGHT: