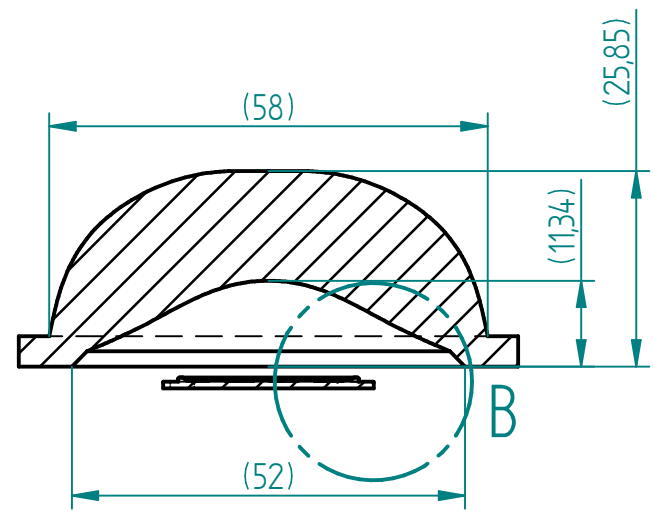
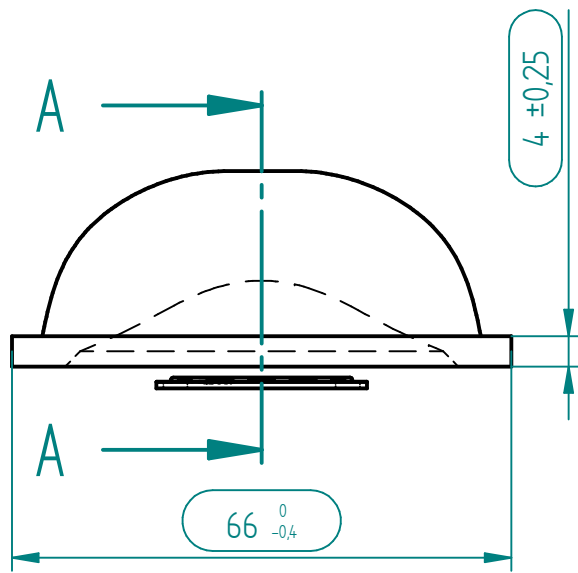
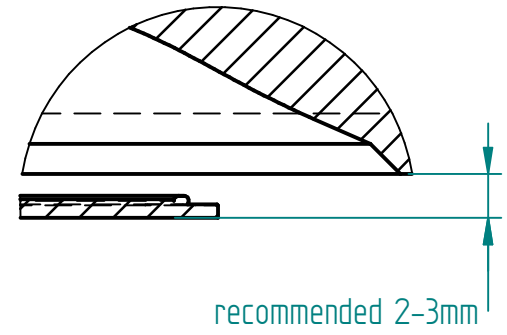
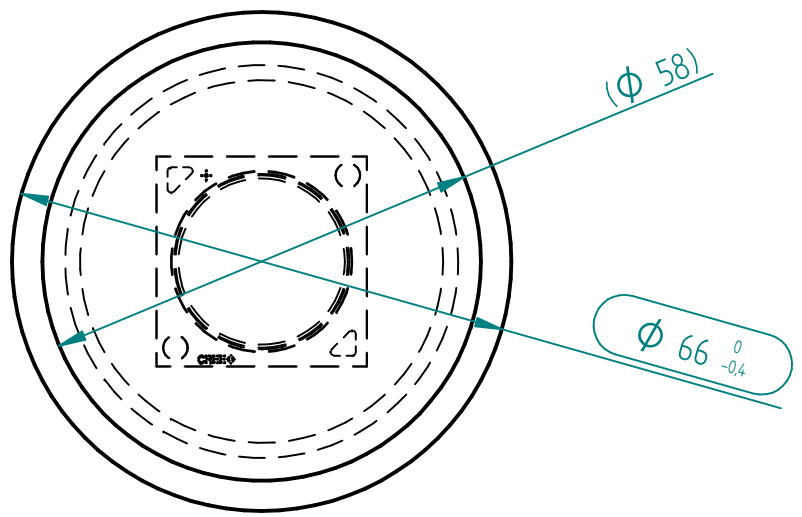
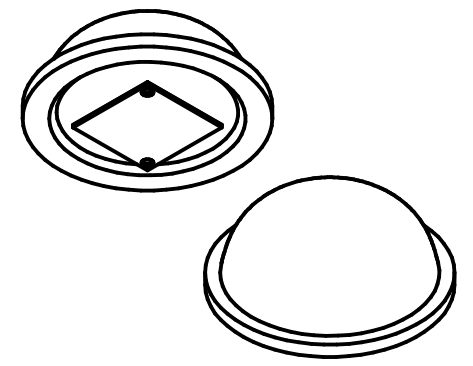


REVISION HISTORY			
REV	DESCRIPTION	DATE	APPROVED




CUT A-A

DETAIL B



material: glass nd=1,521
 mass: 112g
 LED diameter: 16-30mm

	NAME	DATE	 EcoGlass, a.s.
DRAWN	krutcka	11/22/22	
CHECKED			
ENG APPR			
MGR APPR			TITLE
UNLESS OTHERWISE SPECIFIED DIMENSIONS ARE IN MILLIMETERS			90°lighting angle
	SIZE	DWG NO	REV
	A4	A892 6624	EG 02
FILE NAME: A892 6624_verze2.dft			
SCALE:	WEIGHT:	SHEET 1 OF 1	